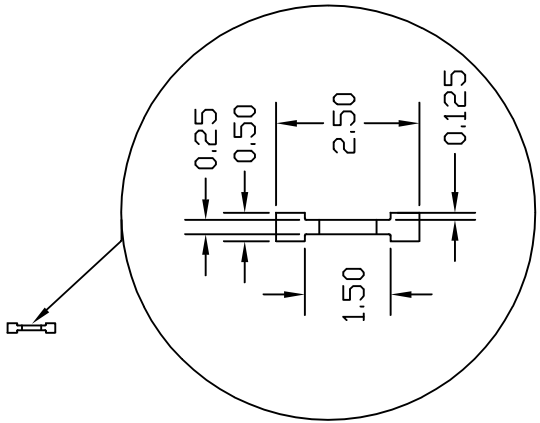
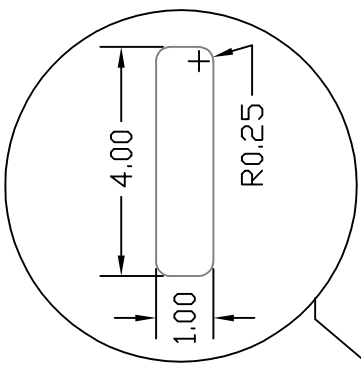
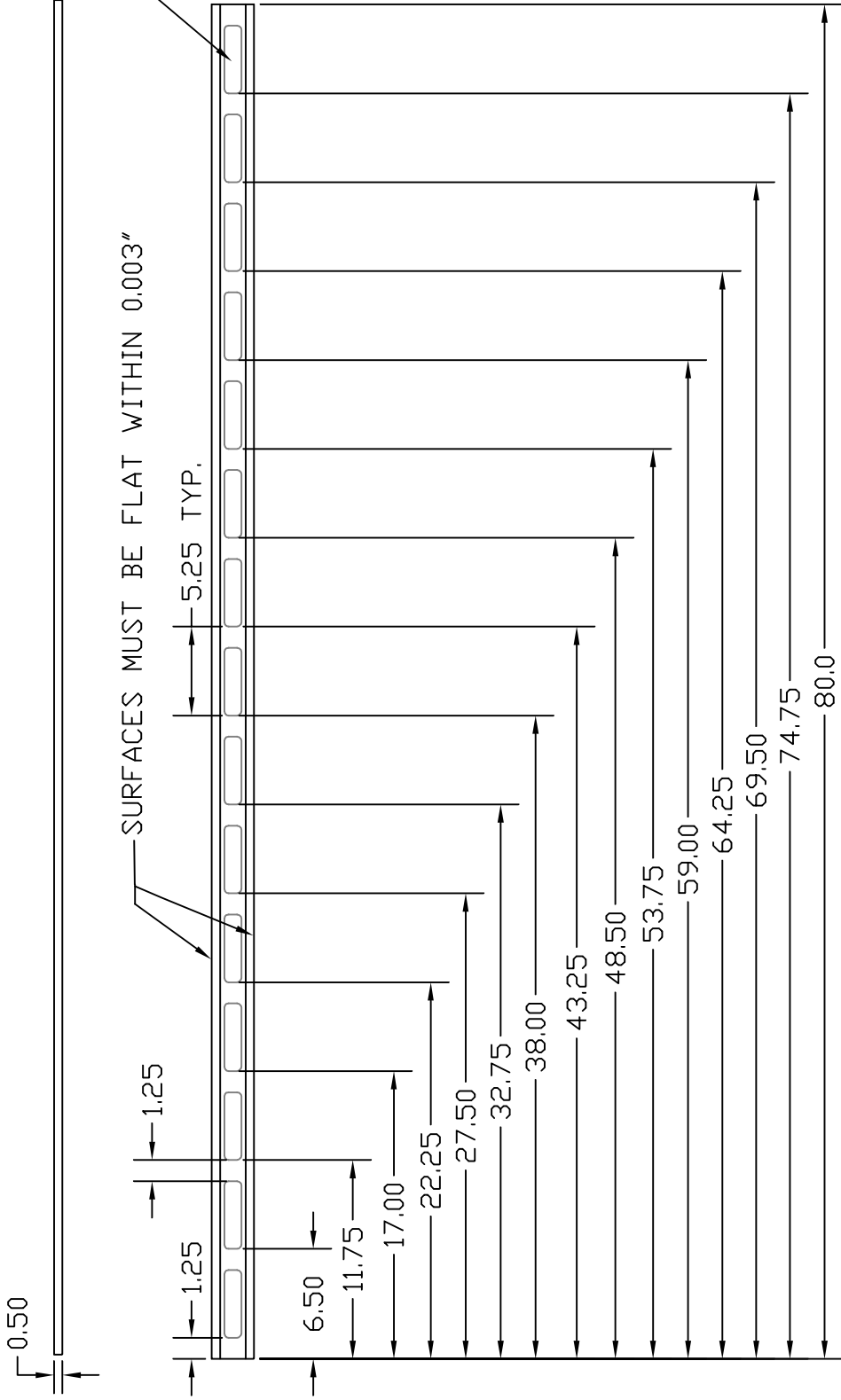


SCALE 3X
 HANDHOLD DETAIL (15 TOTAL)
 WATER JET CUT SLOTS



REVISIONS		DATE:	DESCRIPTION	LETTER

DATE:	10/10/09
DRAWN BY:	MIKE PETTSCH
JOB #:	
SCALE:	NONE
DRAWING #:	
TOLERANCES UNLESS SPECIFIED:	
2 PLACE DEC:	+/- .015
3 PLACE DEC:	+/- .001
4 PLACE DEC:	+/- .0001
ANGLES:	+/- .0° 30'

MATERIAL: A2 STEEL HARDENED TO 54-56 RCK"C"
 WEIGHT: 15.7 LBS APPROX.

MIKE PETTSCH & ASSOCIATES, INC.
 P. O. BOX 24246
 DAYTON, OHIO 45424

MP

DATE: 10/10/09
 DRAWN BY: MIKE PETTSCH
 JOB #:
 SCALE: NONE
 DRAWING #:
 COMPANY:
 DESCRIPTION: STRAIGHT EDGE